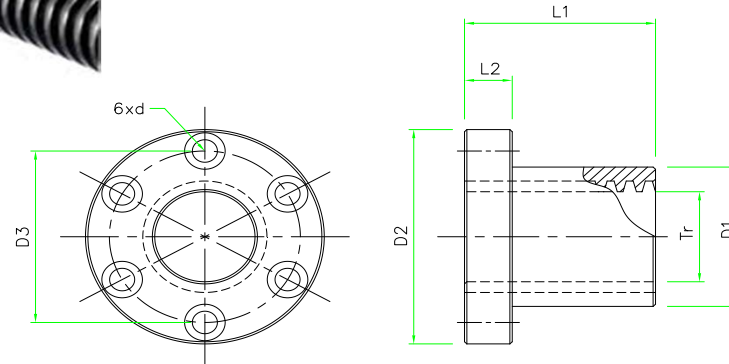
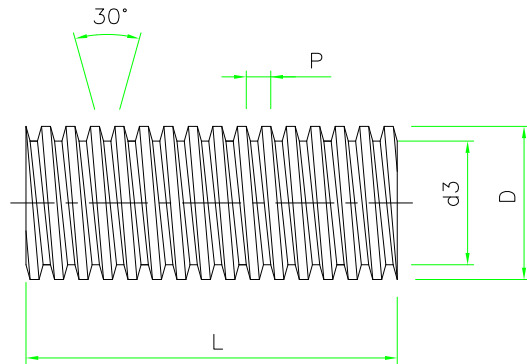


Trapezoidal Threads



Spindle

Steel

Tr	Screw			Weight
	dia.	Pitch	Root dia.	per/M
Tr	D	P	d3	Kg.
Tr 12 x 3	12	3	8	0.75
Tr 16 x 4	16	4	11	1.2
Tr 20 x 4	20	4	15	2
Tr 24 x 5	24	5	18	2.72
Tr 30 x 6	30	6	22	4.5
TR 36 x 6	36	6	28	6.71
TR 40 x 7	40	7	31	8

Flanged Nuts

Bronze

Tr	Flange	Body	PCD	Mtg.	Overall	Flange
	dia.	dia.	dia.	dia.	Length	Width
BM 12 x 3	28	48	38	6	35	12
BM 16 x 4	28	48	38	6	35	12
BM 20 x 4	32	55	45	7	44	12
BM 24 x 5	32	55	45	7	44	12
BM 30 x 6	38	62	50	7	46	14
BM 36 x 6	45	70	58	7	54	16
BM 40 x 7	63	95	78	9	66	16