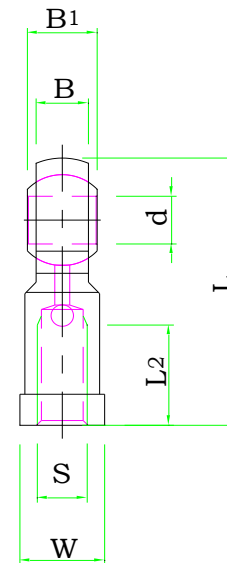
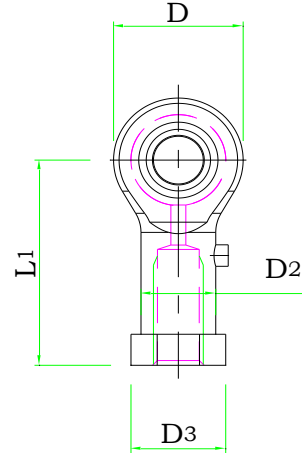
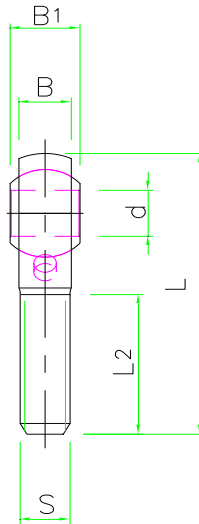
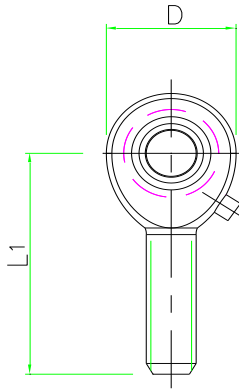


# METRIC ROD ENDS



## Steel/Bronze

Metric Rod Ends: Male							
Bronze	Ball Dia.	Thread	Thread	End to	Head	Head	Ball
Lined		X Pitch	Length	Centre	Dia.	Width	Width
	d	S	L2	L1	D	B	B1
POS 5	5	M5 x.08	20	33	16	6	8
POS 6	6	M6 x 1.0	22	36	18	6.75	9
POS 8	8	M8 x 1.25	25	42	22	9	12
POS 10	10	M10 x 1.25	29	48	26	10.5	14
POS 12	12	M12 x 1.75	33	54	30	12	16
POS 14	14	M14 x 2.0	36	60	34	13.5	19
POS 16	16	M16 x 2.0	40	66	38	15	21
POS 18	18	M18 x 1.5	44	72	42	16.5	23
POS 20	20	M20 x 1.5	47	78	46	18	25
POS 22	22	M22 x 1.5	51	84	50	20	28
POS 25	25	M24 x 2.0	57	94	60	22	31
POS 30	30	M30 x 2.0	66	110	70	25	37

Note: Left hand Thread and Stainless Steel Versions available all Sizes

Metric Rod Ends: Female									
Bronze	Ball Dia.	Thread	Thread	End to	Head	Head	Ball		
Lined		X Pitch	Length	Centre	Dia.	Width	Width	Dia.	Flat
	d	S	L2	L1	D	B	B1	D3	W
PHS 5	5	M5 x.08	14	27	16	6	8	11	9
PHS 6	6	M6 x 1.0	14	30	18	6.75	9	13	11
PHS 8	8	M8 x 1.25	17	36	22	9	12	16	14
PHS 10	10	M10 x 1.25	21	43	26	10.5	14	19	17
PHS 10	10	M10 x 1.5	21	43	26	10.5	14	19	17
PHS 12	12	M12 x 1.75	24	50	30	12	16	22	19
PHS 12	12	M12 x1.25	24	50	30	12	16	22	19
PHS 14	14	M14 x 2.0	27	57	34	13.5	19	25	22
PHS 16	16	M16 x 2.0	33	64	38	15	21	27	22
PHS 16	16	M16 x1.5	33	64	38	15	21	27	22
PHS 18	18	M18 x 1.5	36	71	42	16.5	23	31	27
PHS 20	20	M20 x 1.5	40	77	46	18	25	34	30
PHS 22	22	M22 x 1.5	43	84	50	20	28	37	32
PHS 25	25	M24 x 2.0	48	94	60	22	31	42	36
PHS 30	30	M30 x 2.0	56	110	70	25	37	50	41