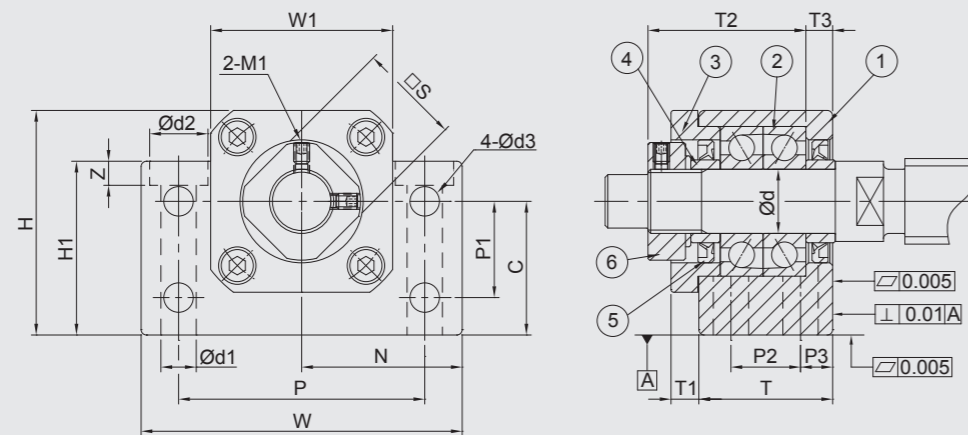


Model No.	Parts no. ① ③ ④ ⑥	
	Material	Surface Finish
GBK □ □ - S □ B	S50C	Black Dyed
GBK □ □ - S □ N		Ni-Plating

GBK-B



GBK10 ~ GBK40



Specification

Standard Type			Dimensions														
Light pre-loaded	Medium pre-loaded	Hard pre-loaded	Ød	T	T1	T2	T3	W	W1	H	H1	N±0.02	C	P	P1	P2	P3
GBK10-SL □	GBK10-SM □	GBK10-SH □	10	25	5	29.5	5	60	34	39	32.5	30	22 <sup>0.002</sup>	46	15	13	6
GBK12-SL □	GBK12-SM □	GBK12-SH □	12	25	5	29.5	5	60	34	42	32.5	30	25 <sup>0.002</sup>	46	18	13	6
GBK15-SL □	GBK15-SM □	GBK15-SH □	15	27	6	32	6	70	38	47	38	35	28 <sup>0.002</sup>	54	18	15	6
GBK17-SL □	GBK17-SM □	GBK17-SH □	17	35	9	44	7	86	48	63	55	43	39 <sup>0.002</sup>	68	28	19	8
GBK20-SL □	GBK20-SM □	GBK20-SH □	20	35	8	43	8	88	50	59	50	44	34 <sup>0.002</sup>	70	22	19	8
GBK25-SL □	GBK25-SM □	GBK25-SH □	25	42	12	54	9	106	62	79	70	53	48 <sup>0.002</sup>	85	33	22	10
GBK30-SL □	GBK30-SM □	GBK30-SH □	30	45	14	61	9	128	74	88	78	64	51 <sup>0.002</sup>	102	33	23	11
GBK35-SL □	GBK35-SM □	GBK35-SH □	35	50	14	67	12	140	86	95	79	70	52 <sup>0.002</sup>	114	35	26	12
GBK40-SL □	GBK40-SM □	GBK40-SH □	40	61	18	76	15	160	98	109	90	80	60 <sup>0.002</sup>	130	37	33	14

Ordering Example	GBK	10	SL	N	J
	Model No.	Shaft Dia.	Grade/Pre-loaded	Surface finish	Bearing category

GBK-N

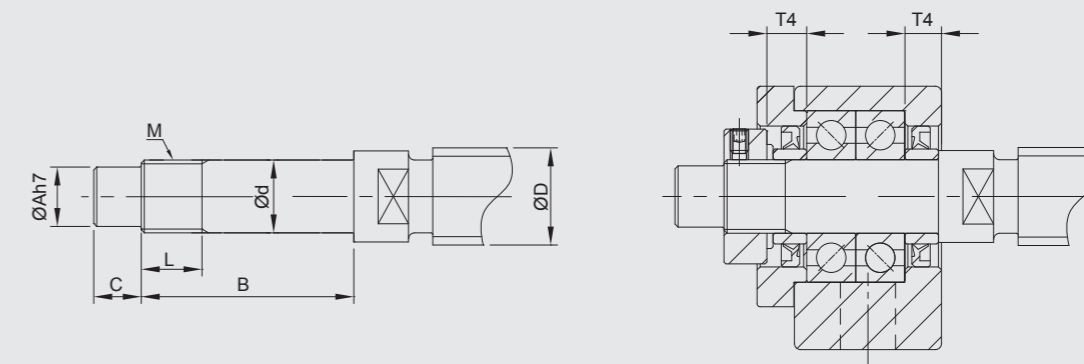


Components

No.	Parts	Material	Q'ty
①	Main housing	S50C	1
②	Bearing	SUJ2	1 pair
③	Cover	S50C	1
④	Space ring	S50C	2
⑤	Seal (<Ø8 one seal only)	NBR	2
⑥	Lucknut	S50C	1

- ① ② ③ are in one unit. No disassemble for accuracy concern.
- Bearing filled with proper lithium soap lubricant and sealed.

Recommended processing dimensions of shaft

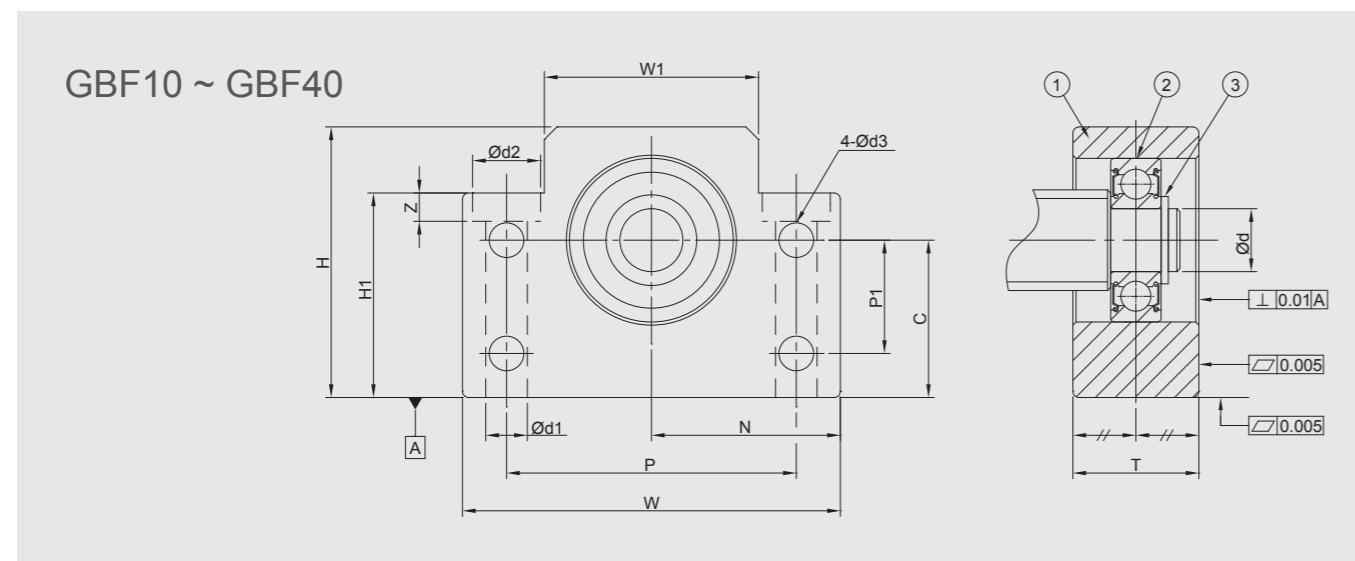


Unit : mm

						Recommended processing dimensions of shaft							
						Ball Screw Shaft O. D.		Shaft End Diameter	Processing sizes of shaft			Nominal thread	
Ød1	Ød2	Z	Ød3	M1	□S	ØD	Ød	ØA	B	C	M	L	T4
6.3	10.5	6.5	5.5	M3	16	12 / 14 / 15	10 <sup>-0.005/-0.012</sup>	8	36	15	M10*P1.0	16	5.5
6.3	10.5	1.5	5.5	M3	19	14 / 15 / 16	12 <sup>-0.005/-0.012</sup>	10	36	15	M12*P1.0	14	5.5
6.3	10.5	6.5	5.5	M3	22	18 / 20	15 <sup>-0.005/-0.014</sup>	12	40	20	M15*P1.0	12	6
8.7	14	8.6	6.6	M4	24	20 / 25	17 <sup>-0.005/-0.014</sup>	15	53	23	M17*P1.0	17	7
8.7	14	8.5	6.6	M4	30	25 / 28	20 <sup>-0.005/-0.014</sup>	17	53	25	M20*P1.0	15	8
10.7	17.5	10.8	9	M5	35	32 / 36	25 <sup>-0.005/-0.014</sup>	20	65	30	M25*P1.5	18	9
13.7	20	13	11	M6	40	36 / 40	30 <sup>-0.005/-0.015</sup>	25	72	38	M30*P1.5	25	9
13.7	20	13	11	M8	50	45	35 <sup>-0.005/-0.015</sup>	30	81	45	M35*P1.5	28	12
17.7	26	17.5	14	M8	50	50	40 <sup>-0.005/-0.015</sup>	35	93	50	M40*P1.5	35	15

• Supported side spec refer to P.32~P.33

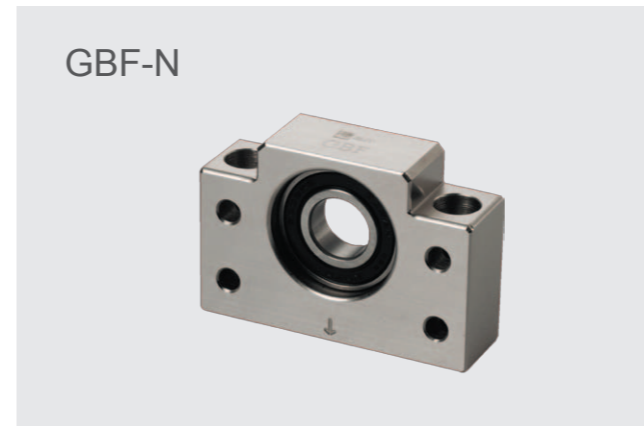
Model No.	Parts no. ①	
	Material	Surface Finish
GBF □□ - SB	S50C	Black Dyed
GBF □□ - SN		Ni-Plating



Specification

Standard Type	Dimensions											
	Ød	T	W	W1	H	H1	P	P1	Ød1	Ød2	Z	Ød3
GBF10-S □	8	20	60	34	39	32.5	46	15	6.3	10.8	5	5.5
GBF12-S □	10	20	60	34	43	32.5	46	18	6.3	10.8	1.5	5.5
GBF15-S □	15	20	70	40	48	38	54	18	6.3	11	6.5	5.5
GBF17-S □	17	23	86	50	64	55	68	28	8.7	14	8.6	6.6
GBF20-S □	20	26	88	52	60	50	70	22	8.7	14	8.6	6.6
GBF25-S □	25	30	106	64	80	70	85	33	10.7	17.5	11	9
GBF30-S □	30	32	128	76	89	78	102	33	13.7	20	13	11
GBF35-S □	35	32	140	88	96	79	114	35	13.7	20	13	11
GBF40-S □	40	37	160	100	110	90	130	37	17.7	26	17.5	14

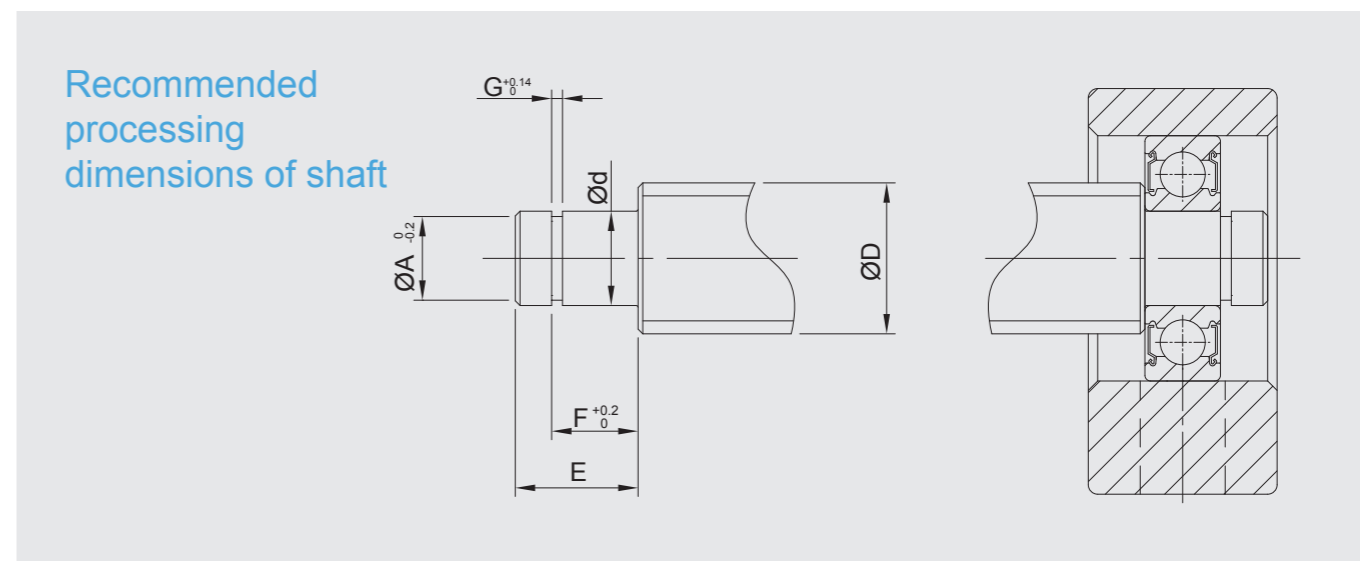
Ordering Example	GBF	10	S	N	J
	Model No.	Shaft Dia.	Grade	Surface finish	Bearing category



Components

No.	Parts	Material	Q'ty
①	Main housing	S50C	1
②	Bearing	SUJ2	1
③	Snap ring	SWB	1

- Bearing filled with proper lithium soap lubricant maintenance free.
- Bearing with two steel covers in black dyed.
- Bearing with two touch-type plastic covers in Ni-plating.

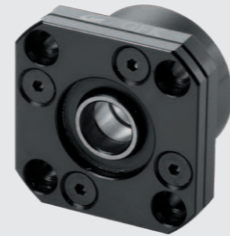


Standard Type		Recommended processing dimensions of shaft						Snap ring
		Ball Screw Shaft O. D.		Shaft End Diameter	Groove sizes machined for snap ring			
N±0.02	C	ØD	Ød	ØA	E	F	G	
30	22 <sup>0</sup> <sub>-0.04</sub>	12 / 14 / 15	8 <sup>-0.005</sup> <sub>-0.012</sub>	7.6	10	7.9	0.9	S 08
30	25 <sup>0</sup> <sub>-0.02</sub>	14 / 15 / 16	10 <sup>-0.005</sup> <sub>-0.012</sub>	9.6	11	9.15	1.15	S 10
35	28 <sup>0</sup> <sub>-0.02</sub>	18 / 20	15 <sup>-0.005</sup> <sub>-0.014</sub>	14.3	13	10.15	1.15	S 15
43	39 <sup>0</sup> <sub>-0.02</sub>	20 / 25	17 <sup>-0.005</sup> <sub>-0.014</sub>	16.2	16	13.15	1.15	S 17
44	34 <sup>0</sup> <sub>-0.02</sub>	25 / 28 / 30	20 <sup>-0.005</sup> <sub>-0.014</sub>	19	19	15.35	1.35	S 20
53	48 <sup>0</sup> <sub>-0.02</sub>	30 / 32 / 36	25 <sup>-0.005</sup> <sub>-0.014</sub>	23.9	20	16.35	1.35	S 25
64	51 <sup>0</sup> <sub>-0.02</sub>	36 / 40	30 <sup>-0.005</sup> <sub>-0.015</sub>	28.6	21	17.75	1.75	S 30
70	52 <sup>0</sup> <sub>-0.02</sub>	40 / 45	35 <sup>-0.005</sup> <sub>-0.015</sub>	33	22	18.75	1.75	S 35
80	60 <sup>0</sup> <sub>-0.02</sub>	50	40 <sup>-0.005</sup> <sub>-0.015</sub>	38	23	19.95	1.95	S 40

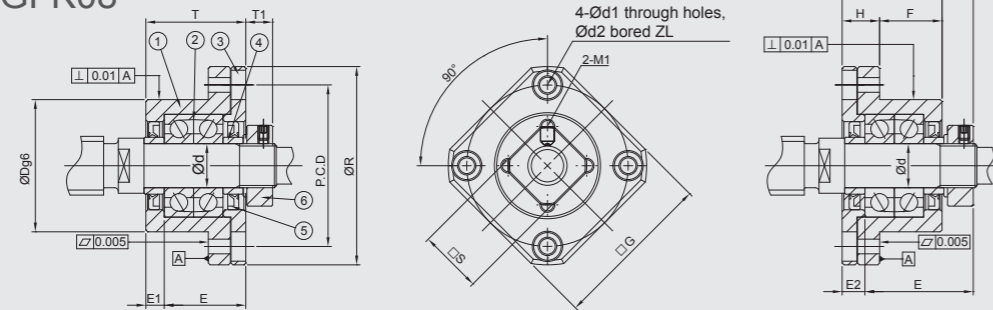
• Fixed Side spec please refer to P.16~P.17 and P.24~P.25

Model No.	Parts no. ① ③ ④ ⑥	
	Material	Surface Finish
GFK □ □ - S □ B	S50C	Black Dyed
GFK □ □ - S □ N		Ni-Plating

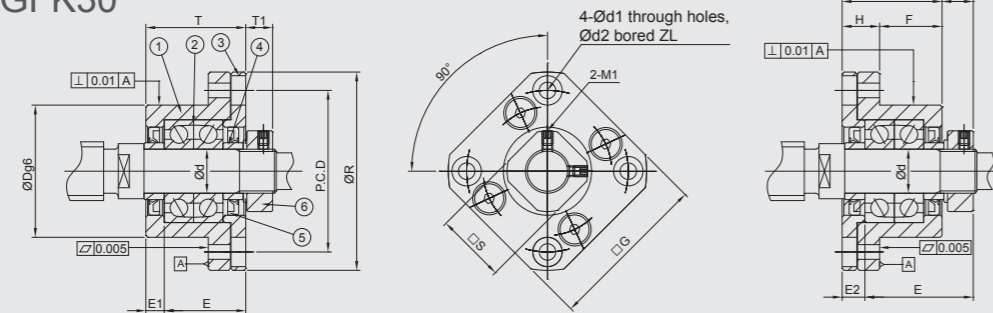
GFK-B



GFK06 ~ GFK08



GFK10 ~ GFK30



Specification

Standard Type			Dimensions												
Light pre-loaded	Medium pre-loaded	Hard pre-loaded	Ød	ØR	□G	T	H	F	ØDg6	E	Installation (A)		Installation (B)		PCD
											T1	E1	T2	E2	
GFK06-SL □	GFK06-SM □	GFK06-SH □	6	36	28	20	7	13	22 <sup>-0.007</sup> <sub>-0.020</sub>	22	5.5	3.5	6.5	4.5	28
GFK08-SL □	GFK08-SM □	GFK08-SH □	8	43	35	23	9	14	28 <sup>-0.007</sup> <sub>-0.020</sub>	26	7	4	8	5	35
GFK10-SL □	GFK10-SM □	GFK10-SH □	10	52	42	27	10	17	34 <sup>-0.008</sup> <sub>-0.025</sub>	29.5	7.3	5	8.5	6	42
GFK12-SL □	GFK12-SM □	GFK12-SH □	12	54	44	27	10	17	36 <sup>-0.008</sup> <sub>-0.025</sub>	29.5	7.3	5	8.5	6	44
GFK15-SL □	GFK15-SM □	GFK15-SH □	15	63	52	32	15	17	40 <sup>-0.008</sup> <sub>-0.025</sub>	36	9.8	6	12	8	50
GFK17-SL □	GFK17-SM □	GFK17-SH □	17	77	61	45	22	23	50 <sup>-0.008</sup> <sub>-0.025</sub>	47	11	9	14	12	62
GFK20-SL □	GFK20-SM □	GFK20-SH □	20	85	68	52	22	30	57 <sup>-0.010</sup> <sub>-0.028</sub>	50	7.8	10	12	14	70
GFK25-SL □	GFK25-SM □	GFK25-SH □	25	98	79	57	27	30	63 <sup>-0.010</sup> <sub>-0.028</sub>	60	12.8	10	20	17	80
GFK30-SL □	GFK30-SM □	GFK30-SH □	30	117	93	62	30	32	75 <sup>-0.010</sup> <sub>-0.028</sub>	61	10.8	12	17	18	95

Ordering Example	GFK	10	SL	N	J
	Model No.	Shaft Dia.	Grade/Pre-loaded	Surface finish	Bearing category

GFK-N

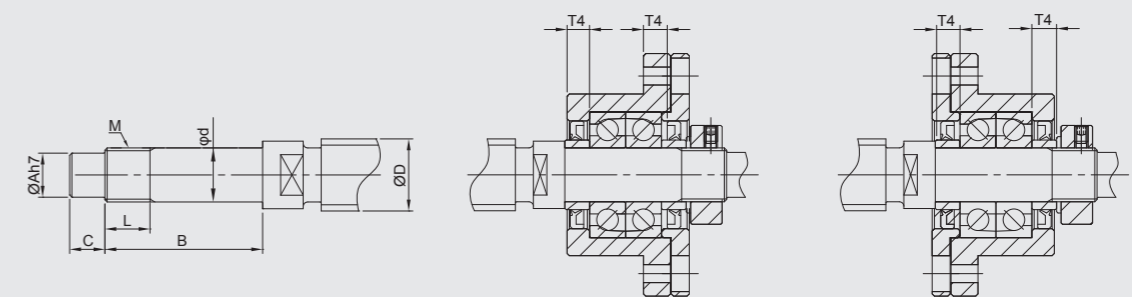


Components

No.	Parts	Material	Q'ty
①	Main housing	S50C	1
②	Bearing	SUJ2	1 pair
③	Cover	S50C	1
④	Space ring	S50C	2
⑤	Seal (<Ø8 one seal only)	NBR	2
⑥	Lucknut	S50C	1

- ① ② ③ are in one unit. No disassemble for accuracy concern.
- Bearing filled with proper lithium soap lubricant and sealed.

Recommended processing dimensions of shaft



Unit : mm

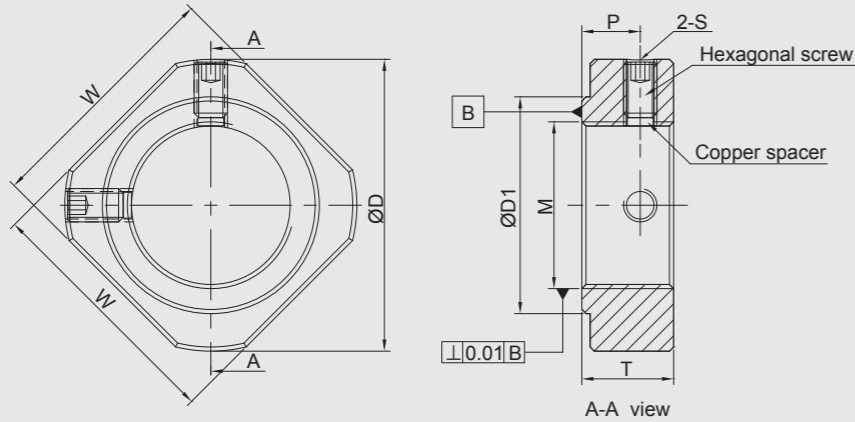
					Recommended processing dimensions of shaft							
					Ball Screw Shaft O. D.		Shaft End Diameter		Processing sizes of shaft		Nominal thread	
Ød1	Ød2	Z	M1	□S	ØD	Ød	ØA	B	C	M	L	T4
3.4	6	3.3	M3	12	8	6 <sup>-0.005</sup> <sub>-0.012</sub>	4	28	8	M6*P0.75	8	5
3.4	6	3.3	M3	14	10 / 12	8 <sup>-0.005</sup> <sub>-0.012</sub>	6	32	9	M8*P1.0	10	5.5
4.5	8	4	M3	16	12 / 14 / 15	10 <sup>-0.005</sup> <sub>-0.012</sub>	8	36	15	M10*P1.0	11	5.5
4.5	8	4	M3	19	14 / 15 / 16	12 <sup>-0.005</sup> <sub>-0.012</sub>	10	36	15	M12*P1.0	11	5.5
5.5	9.5	6	M3	22	18 / 20	15 <sup>-0.005</sup> <sub>-0.014</sub>	12	47	20	M15*P1.0	13	10
6.6	11	10	M4	24	20 / 25	17 <sup>-0.005</sup> <sub>-0.014</sub>	15	53	23	M17*P1.0	17	7
6.5	11	10	M4	30	25 / 28 / 30	20 <sup>-0.005</sup> <sub>-0.014</sub>	17	62	25	M20*P1.0	17	11
9	15	13	M5	35	30 / 32 / 36	25 <sup>-0.005</sup> <sub>-0.014</sub>	20	76	30	M25*P1.5	20	15
11	17.5	15	M6	40	36 / 40	30 <sup>-0.005</sup> <sub>-0.014</sub>	25	72	38	M30*P1.5	25	9

• Supported side spec refer to P.36~P.37

GRLN-B



GRLN-N

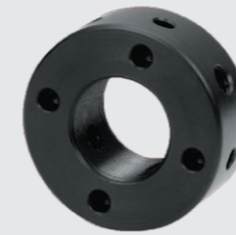


Specification (Material : S50C)

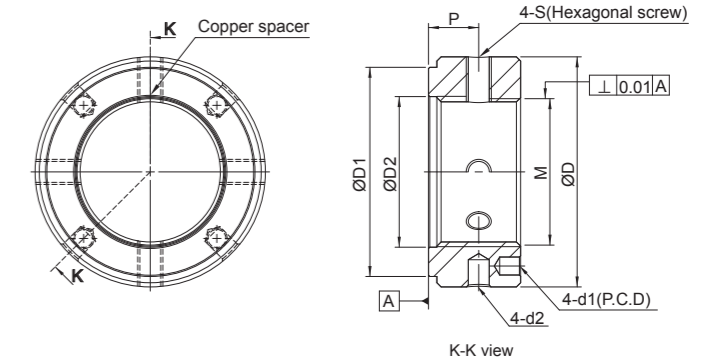
Unit : mm

Model No.		M	W	T	ØD	ØD1	P	S
Black Dyed	Ni Plating							
GRLN06-B	GRLN06-N	M6*P0.75	12	5	14.5	9	2.7	M3
GRLN08-B	GRLN08-N	M8*P1.0	14	6.5	17	13	4	
GRLN10-B	GRLN10-N	M10*P1.0	16	8	19	14	5.5	
GRLN12-B	GRLN12-N	M12*P1.0	19	8	22	17	5.5	
GRLN15-B	GRLN15-N	M15*P1.0	22	8	25	21	4.5	M4
GRLN17-B	GRLN17-N	M17*P1.0	24	13	30	25	9.5	
GRLN20-B	GRLN20-N	M20*P1.0	30	11	35	26	7	M5
GRLN25-B	GRLN25-N	M25*P1.5	35	15	43	33	10	
GRLN30-B	GRLN30-N	M30*P1.5	40	20	48	39	14	M6
GRLN35-B	GRLN35-N	M35*P1.5	50	21	60	46	14	
GRLN40-B	GRLN40-N	M40*P1.5	50	25	63	50	18	M8

GCLN-B



GCLN-N



Specification (Material : S50C)

Unit : mm

Model No.		M	T	ØD	ØD1	ØD2	P.C.D	Ød1	Ød2	P	S	Wrench torque (N.cm)
Black Dyed	Ni Plating											
GCLN17-B	GCLN17-N	M17*P1.0	18	37	27	/	27	4.3	4	10	M6	5400
GCLN20-B	GCLN20-N	M20*P1.0	18	40	30	21	30		4	10		7350
GCLN25-B	GCLN25-N	M25*P1.5	20	45	40	26	35		4	12		13200
GCLN30-B	GCLN30-N	M30*P1.5	20	50	40	31	40		5	11		19600
GCLN35-B	GCLN35-N	M35*P1.5	22	55	50	36	45		5	12		29400
GCLN40-B	GCLN40-N	M40*P1.5	22	60	50	41	50		5	12		39200

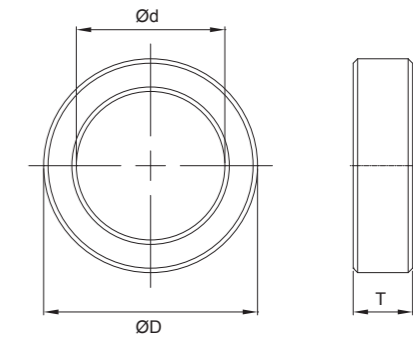
• Copper space integrated to the set scren.

Space Ring

GSR-B



GSR-N



Specification (Material : S50C)

Unit : mm

Model No.		Ød	ØD	T	Model No.		Ød	ØD	T
Black Dyed	Ni Plating				Black Dyed	Ni Plating			
GSR06-B	GSR06-N	6	9.4	5	GSR20-2-B	GSR20-2-N	20	29.4	15
GSR08-B	GSR08-N	8	11.4	5.5	GSR25-B	GSR25-N	25	31.4	9
GSR10-B	GSR10-N	10	14.4	5.5	GSR25-1-B	GSR25-1-N	25	31.4	15
GSR12-B	GSR12-N	12	15.4	5.5	GSR25-2-B	GSR25-2-N	25	39.4	18
GSR12-1-B	GSR12-1-N	12	14.4	5.5	GSR30-B	GSR30-N	30	39.4	9
GSR15-B	GSR15-N	15	19.4	6	GSR30-1-B	GSR30-1-N	30	39.4	18
GSR15-1-B	GSR15-1-N	15	19.4	10	GSR35-B	GSR35-N	35	44.4	12
GSR17-B	GSR17-N	17	24.4	7	GSR35-1-B	GSR35-1-N	35	48.4	18
GSR17-1-B	GSR17-1-N	17	29.4	15	GSR40-B	GSR40-N	40	48.4	15
GSR17-2-B	GSR17-2-N	17	24.4	10					
GSR20-B	GSR20-N	20	25.4	8					
GSR20-1-B	GSR20-1-N	20	25.4	11					